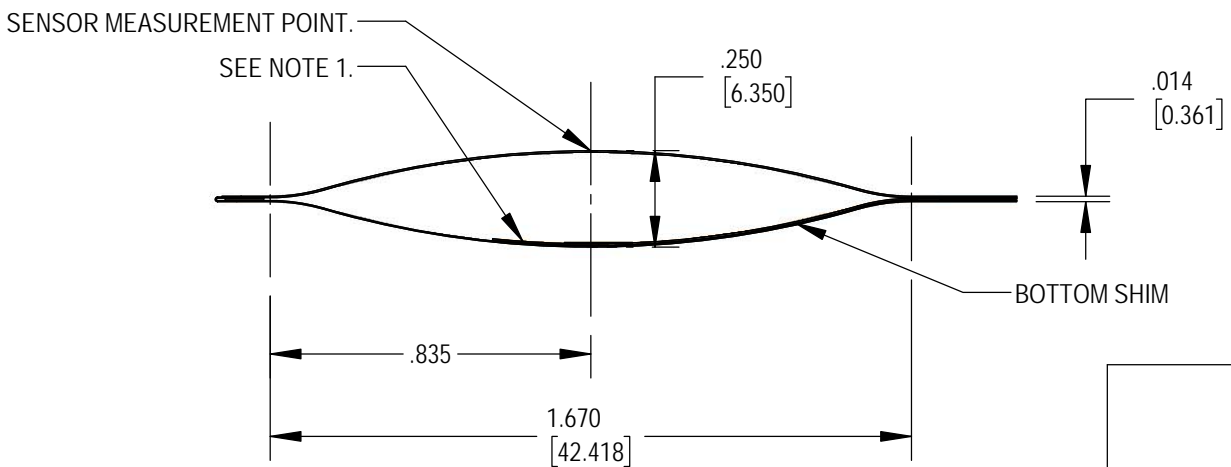



ISOMETRIC VIEW
SCALE 1:4



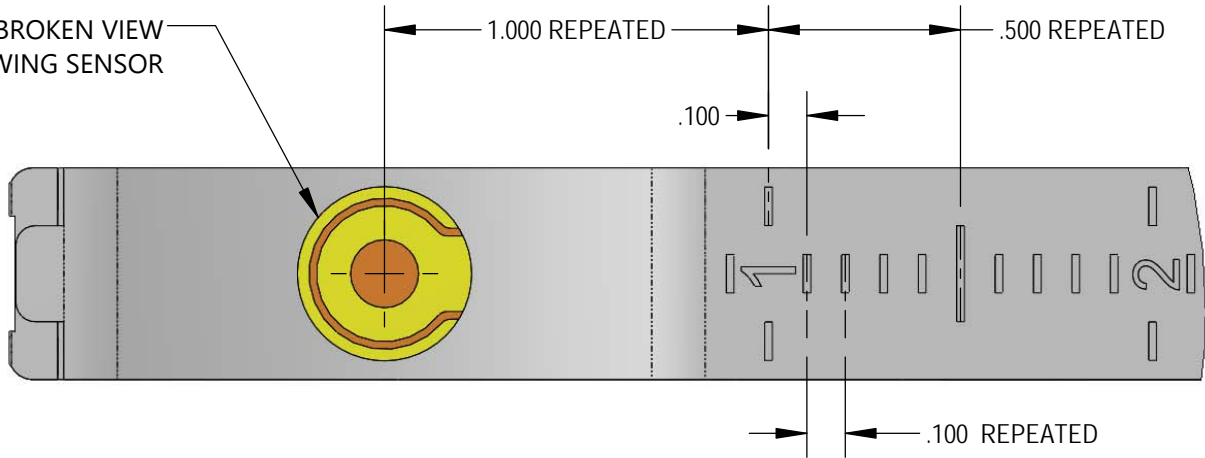
DETAIL A
SCALE 2 : 1

DIMENSIONS ARE NOMINAL VALUES

- NOTES:
1. WAND SENSOR BONDED TO THE BOTTOM SHIM.
 2. WELDED REINFORCEMENT SHIMS LOCATIONS (BOTH SIDES).
 3. THINNER WAND REPLACEMENT FOR GPD-4.5(.020)-A-250-5509-9075.

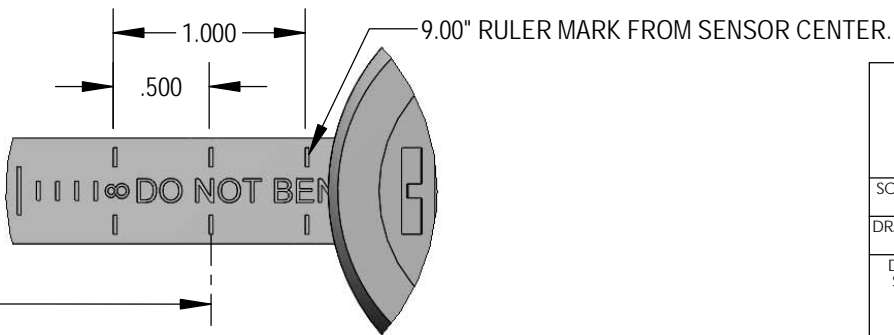
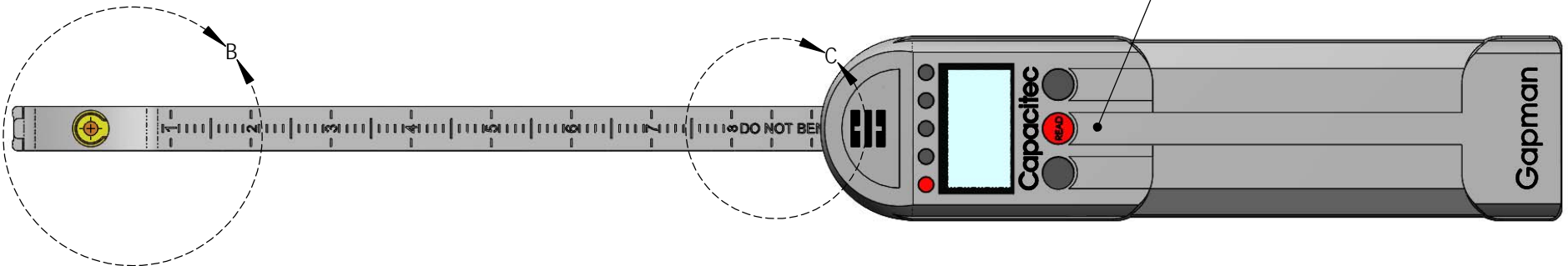
 87 Fitchburg Road, Ayer, MA 01432, USA		
SCALE: 1:2	APPROVED:	DATE: 8-27-20
DRAWN: WMO	PROJECT NAME:	REV: 1
DWG SIZE: A	DRAWING TITLE: GPS-4.5(.014)-A-250-5509-9475	
SERIES NO:	DRAWING NO: 5509-9475-SD	
		SHEET 1 OF 2

BROKEN VIEW
SHOWING SENSOR



DETAIL B
SCALE 2:1

GAPMAN 4200-GM-GEN 3
ORDER SEPARATELY
SEE DRAWING 5534-7819-SD



DETAIL C
SCALE 1:1

DIMENSIONS ARE NOMINAL VALUES

Capacitec

87 Fitchburg Road, Ayer, MA 01432, USA

SCALE: 1:2	APPROVED:	DATE: 8-27-20
DRAWN: WMO	PROJECT NAME:	REV: 1
DWG SIZE: A	DRAWING TITLE: GPS-4.5(.014)-A-250-5509-9475	
SERIES NO:	DRAWING NO: 5509-9475-SD	

SHEET 2 OF 2